

Pressure Gauges

Economical Dry Gauge



Y SERIES ABS CASE PRESSURE GAUGE

Y40A-Y50A-Y63A-Y80A-Y100A

Description:

Standard pressure gauges mainly used for simple pressure measurement of liquids, vapour and gases, which are not crystallising, concretionary and no danger of explosion and that will not attack copper alloy parts



Application

- Pneumatics
- Heating industry
- Air-conditioning
- Medical engineering

Specification

Nominal Size:

1.5"(40mm), 2.0"(50mm), 2.5"(63mm), 3.5"(88mm), 4.0"(100mm)

Accuracy: $\pm 1.6\%$, $\pm 2.5\%$

Pressure Range: -1...0bar to 0...400bar

Working Temperature: -20°C...60°C

Case: ABS

Connection: Brass

Thread: 1/8", 1/4", 3/8", 1/2", PT, NPT, BSP and individual

Bourdon tube: Phosphor bronze, C-type or Helical type

Movement: Brass or Steel

Dial: Aluminium, White, black lettering

Pointer: Aluminium, black

Window: Plastic

Options

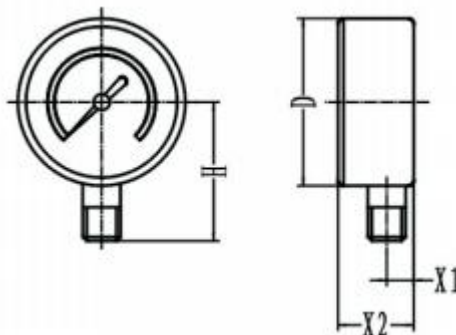
Customize range, scale or logo; Coloured sector, connection thread, pressure needle etc

Tel: 0086-574-23688830
Fax: 0086-574-23688830
Email: info@st-meter.com
Web: <http://www.st-meter.com>

Cixi Sito machinery Co.LTD.
West Section Gongye Road, Xinpu Town,
Cixi City, Ningbo, Zhejiang Province, China

Pressure Gauges

Economical Dry Gauge



Bottom connection

Dimensions in mm					
Types	Nom.size	D	X1	X2	H
Y40A	40	41	8	23	36.5
Y50A	50	52.5	10.5	29	45.4
Y63A	63	62.5	10.5	28	50.5
Y80A	80	79.5	10.5	31.5	67.5
Y100A	100	98.5	-	34.5	82

Tel:0086-574-23688830
Fax:0086-574-23688830
Email:info@st-meter.com
Web:http://www.st-meter.com

Cixi Sito machinery Co.LTD.
West Section Gongye Road,Xinpu Town,
Cixi City,Ningbo,Zhejiang Province,China