

# Pressure Gauges

## Shock Resistant Pressure gauge



### YN SERIES SHOCK RESISTANT PRESSURE GAUGE

YN40C-YN50C-YN63C-YN75C-YN100C-YN150C

#### Description:

Shock resistant pressure gauges mainly used for pressure measurement of liquids and gases, that are not highly viscous or crystallising and will not attack copper alloy parts. Shock resistant pressure gauges with water-tight case are designed into harsh conditions, where the pressure gauge is exposed to vibration, humidity and other complicating conditions. Resists vibration, shocks and pressure surges for which purpose they are equipped with pressure shock absorbers.

#### Application

- Hydraulics
- Heating industry
- Air-conditioning
- Medical engineering
- Petrochemical industry

#### Specification

Nominal Size:

1.5"(40mm), 2.0"(50mm), 2.5"(63mm), 3.5"(88mm), 4.0"(100mm), 6.0"(150mm)

Accuracy:  $\pm 1.0\%$ ,  $\pm 1.6\%$ ,  $\pm 2.5\%$

Pressure Range: -1...0bar to 0...1000bar

Working Temperature: -20°C...70°C

Case: Stainless steel

Ring: Stainless steel, Crimped type

Connection: Brass or Stainless steel

Thread: 1/8", 1/4", 3/8", 1/2", PT, NPT, BSP and individual

Bourdon tube: Phosphor bronze or Stainless steel, C-type or Helical type

Movement: Brass or Stainless steel

Dial: Aluminium, White, black lettering

Pointer: Aluminium, black

Window: Plastic or glass

Filled: Glycerine (standard), Silicone (optional)

Gaskets/Filling cap: Neoprene or Silica gel

#### Options

Customize range, scale or logo; Coloured sector, connection thread, pressure needle, Rubber cover etc

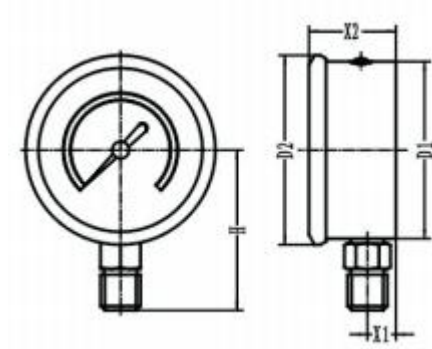


Tel: 0086-574-23688830  
Fax: 0086-574-23688830  
Email: [info@st-meter.com](mailto:info@st-meter.com)  
Web: <http://www.st-meter.com>

Cixi Sito machinery Co.LTD.  
West Section Gongye Road, Xinpu Town,  
Cixi City, Ningbo, Zhejiang Province, China

# Pressure Gauges

## Shock Resistant Pressure Gauge



Bottom connection

Dimensions in mm						
Types	Nom.size	D1	D2	X1	X2	H
YN40C	40	42	49	7.9	26	38
YN50C	50	50	58	8	30	48
YN63C	63	63	69	9.2	32	59
YN75C	80	75	85	14	38	68
YN100C	100	99	106	13	38	83

Tel:0086-574-23688830  
Fax:0086-574-23688830  
Email:info@st-meter.com  
Web:http://www.st-meter.com

Cixi Sito machinery Co.LTD.  
West Section Gongye Road,Xinpu Town,  
Cixi City,Ningbo,Zhejiang Province,China