

# Pressure Gauges

## Shock Resistant Pressure gauge



### YN SERIES SHOCK RESISTANT PRESSURE GAUGE WITH FLANGE

YN40T-YN50T-YN63T-YN80T-YN100T

#### Description:

Shock resistant pressure gauges mainly used for pressure measurement of liquids and gases, that are not highly viscous or crystallising and will not attack copper alloy parts. Shock resistant pressure gauges with water-tight case are designed into harsh conditions, where the pressure gauge is exposed to vibration, humidity and other complicating conditions. Resists vibration, shocks and pressure surges for which purpose they are equipped with pressure shock absorbers.

#### Application

- Hydraulics
- Heating industry
- Air-conditioning
- Medical engineering
- Petrochemical industry

#### Specification

Nominal Size:

1.5"(40mm), 2.0"(50mm), 2.5"(63mm), 3.5"(88mm), 4.0"(100mm), 6.0"(150mm)

Accuracy:  $\pm 1.0\%$ ,  $\pm 1.6\%$ ,  $\pm 2.5\%$

Pressure Range: -1...0bar to 0...1000bar

Working Temperature: -20°C...70°C

Case: Stainless steel

Ring: Stainless steel, Crimped type

Connection: Brass or Stainless steel

Thread: 1/8", 1/4", 3/8", 1/2", PT, NPT, BSP and individual

Bourdon tube: Phosphor bronze or Stainless steel, C-type or Helical type

Movement: Brass or Stainless steel

Dial: Aluminium, White, black lettering

Pointer: Aluminium, black

Window: Plastic or glass

Filled: Glycerine (standard), Silicone (optional)

Gaskets/Filling cap: Neoprene or Silica gel

Flange: Stainless steel



Tel: 0086-574-23688830  
Fax: 0086-574-23688830  
Email: [info@st-meter.com](mailto:info@st-meter.com)  
Web: <http://www.st-meter.com>

Cixi Sito machinery Co.LTD.  
West Section Gongye Road, Xinpu Town,  
Cixi City, Ningbo, Zhejiang Province, China

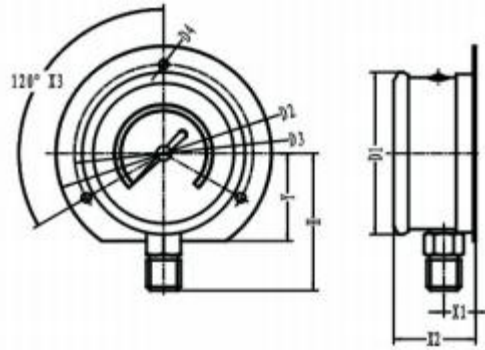
# Pressure Gauges

## Shock Resistant Pressure Gauge



### Options

Customize range, scale or logo; Coloured sector, connection thread, pressure needle etc



Bottom connection

Dimensions in mm									
Types	Nom. size	D1	D2	D3	D4	X1	X2	Y	H
YN40T	40	45	62	53	3.5	9	26.5	24	38
YN50T	50	57.5	73	63	4	10	30.5	30	49
YN63T	63	69	85	75	4	12	37	32	60
YN80T	80	84	104	88	5	14	38	37	68
YN100T	100	108	130	115	4	12	37	48	80

Tel:0086-574-23688830  
 Fax:0086-574-23688830  
 Email:info@st-meter.com  
 Web:http://www.st-meter.com

Cixi Sito machinery Co.LTD.  
 West Section Gongye Road,Xinpu Town,  
 Cixi City,Ningbo,Zhejiang Province,China