

# Pressure Gauges

## Stainless Steel Pressure gauge



### YB SERIES STAINLESS STEEL PRESSURE GAUGE

YB40B-YB50B-YN63B-YB100B-YB160B

#### Description:

All stainless steel pressure gauges are suitable for measurements of all non-viscous and non-aggressive liquids, vapour and gases that do not have corrosive/desctructive effect on stainless steel material.Application

#### Application

- Chemical/petro-chemical
- power stations
- mining
- environmental technology
- machine building
- general plant construction



#### Specification

Nominal Size:

1.5"(40mm),2.0"(50mm),2.5"(63mm),3.5"(88mm),4.0"(100mm),6.0"(150mm)

Accuracy:±1.0%,±1.6%,±2.5%

Pressure Range:-1...0bar to 0...1000bar

Working Temperature:-20℃...70℃

Case: Stainless steel,with pressure vent

Ring:Stainless steel,Bayonet type

Connection:Stainless steel

Thread:1/8",1/4"3/8",1/2",PT,NPT,BSP and individual

Bourdon tube:Stainless steel ,C-type or Helical type

Movement:Stainless steel

Dial:Aluminium,White,black lettering

Pointer:Aluminium,black

Window: glass

Gaskets/Filling cap:Neoprene or Silica gel

#### Options

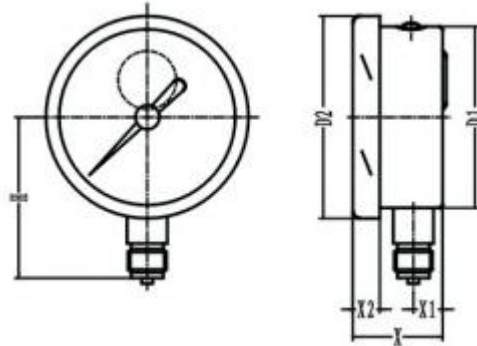
Customize range, scale or logo; Coloured sector, connection thread, pressure needle,back/front flange, with Glycerine or silicone etc

Tel:0086-574-23688830  
Fax:0086-574-23688830  
Email:info@st-meter.com  
Web:http://www.st-meter.com

Cixi Sito machinery Co.LTD.  
West Section Gongye Road,Xinpu Town,  
Cixi City,Ningbo,Zhejiang Province,China

# Pressure Gauges

## Stainless Steel Pressure Gauge



Bottom connection

Dimensions in mm							
Types	Nom.size	D1	D2	X	X1	X2	H
YB63B	63	62	63	33	9.5	11.5	54
YB100B	100	99	101	49.5	15.5	17.5	87
YB160B	160	159	161	49.5	15.5	17.5	118

Tel:0086-574-23688830  
Fax:0086-574-23688830  
Email:info@st-meter.com  
Web:http://www.st-meter.com

Cixi Sito machinery Co.LTD.  
West Section Gongye Road,Xinpu Town,  
Cixi City,Ningbo,Zhejiang Province,China