

# Pressure Gauges

## Ammonia Pressure gauge



### YA SERIES AMMONIA PRESSURE GAUGE

YA63D

#### Description:

Ammonia pressure gauge mainly used for pressure measurement of ammonia in gas, liquid and mixed with others.

#### Application

- chemical fertilizer industry
- refrigeration facilities

#### Specification

Nominal Size:

2.5"(63mm), 2.76"(70mm),

Accuracy:  $\pm 1.0\%$ ,  $\pm 1.6\%$ ,  $\pm 2.5\%$

Pressure Range: 0...400bar

Working Temperature:  $-20^{\circ}\text{C}$ ... $60^{\circ}\text{C}$

Case: Gray steel case

Connection: Stainless steel

Thread: 1/8", 1/4", 3/8", 1/2", PT, NPT, BSP and individual

Bourdon tube: Stainless steel, C-type or Helical type

Movement: Stainless steel

Dial: Aluminium, White, black lettering

Pointer: Aluminium, black

Window: screw in PC

#### Options

Customize range, scale or logo; connection thread, pressure needle etc

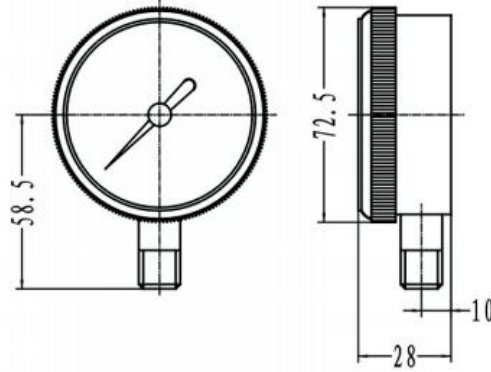


Tel: 0086-574-23688830  
Fax: 0086-574-23688830  
Email: [info@st-meter.com](mailto:info@st-meter.com)  
Web: <http://www.st-meter.com>

Cixi Sito machinery Co.LTD.  
West Section Gongye Road, Xinpu Town,  
Cixi City, Ningbo, Zhejiang Province, China

# Pressure Gauges

## Ammonia Pressure Gauge



Bottom connection

Dimensions in mm					
Types	Nom.size	D	X1	X2	H
YA63D	63	72.5	10	28	58.5

Tel:0086-574-23688830  
Fax:0086-574-23688830  
Email:info@st-meter.com  
Web:http://www.st-meter.com

Cixi Sito machinery Co.LTD.  
West Section Gongye Road,Xinpu Town,  
Cixi City,Ningbo,Zhejiang Province,China