

Pressure Gauges

Ammonia Pressure gauge



YA SERIES AMMONIA PRESSURE GAUGE

YA63R

Description:

Ammonia pressure gauge mainly used for pressure measurement of ammonia in gas, liquid and mixed with others.

Application

- chemical fertilizer industry
- refrigeration facilities

Specification

Nominal Size:

2.5"(63mm), 2.76"(70mm),

Accuracy: $\pm 1.0\%$, $\pm 1.6\%$, $\pm 2.5\%$

Pressure Range: 0...400bar

Working Temperature: -20°C ... 60°C

Case: AISI 304

Ring: Stainless steel

Connection: Stainless steel

Thread: 1/8", 1/4", 3/8", 1/2", PT, NPT, BSP and individual

Bourdon tube: Stainless steel, C-type or Helical type

Movement: Stainless steel

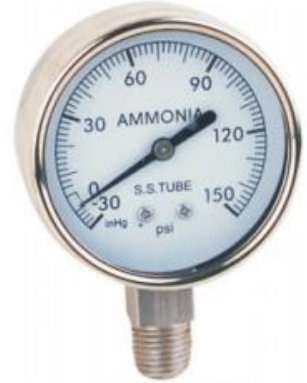
Dial: Aluminium, White, black lettering

Pointer: Aluminium, black

Window: screw in PC

Options

Customize range, scale or logo; connection thread, pressure needle etc

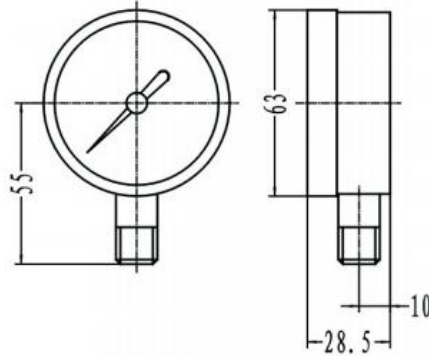


Tel: 0086-574-23688830
Fax: 0086-574-23688830
Email: info@st-meter.com
Web: <http://www.st-meter.com>

Cixi Sito machinery Co.LTD.
West Section Gongye Road, Xinpu Town,
Cixi City, Ningbo, Zhejiang Province, China

Pressure Gauges

Ammonia Pressure Gauge



Bottom connection

Dimensions in mm					
Types	Nom.size	D	X1	X2	H
YA63R	63	63	10	28.5	55

Tel:0086-574-23688830
Fax:0086-574-23688830
Email:info@st-meter.com
Web:http://www.st-meter.com

Cixi Sito machinery Co.LTD.
West Section Gongye Road,Xinpu Town,
Cixi City,Ningbo,Zhejiang Province,China