

Pressure Gauges

Gas Test gauge



YG SERIES GAS TEST GAUGE

YG1/2-23, YG3/4-23, YG1-23

Description

Gas test gauges mainly used for pressure measurement of gas to test gas leak and fault detection of pipeline.

Application

- gas combustion equipment
- gas fired heating system
- gas pipelines

Specification

Nominal Size: 2.0" (50mm)

Accuracy: $\pm 1.0\%$, $\pm 1.6\%$, $\pm 2.5\%$

Pressure Range: 0...100psi

Working Temperature: -20°C ... 60°C

Case: Steel black painted

Ring: Steel black painted

Connection: Brass

Thread: 1/2"NPT, 3/4"NPT, 1"NPT

Bourdon tube: Phosphor bronze, C-type

Movement: Brass

Mounting style: Bell

Housing material: Cast iron, black painted or cast copper

Dial: Aluminium, White, black lettering

Pointer: Aluminium, black

Window: PC

Options

Customize range, scale or logo; connection thread, pressure needle etc

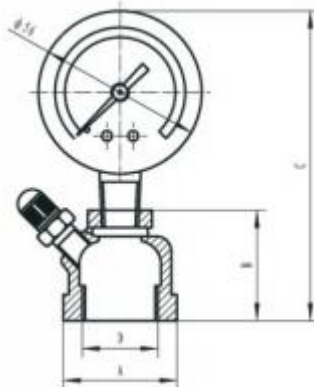


Tel: 0086-574-23688830
Fax: 0086-574-23688830
Email: info@st-meter.com
Web: <http://www.st-meter.com>

Cixi Sito machinery Co.LTD.
West Section Gongye Road, Xinpu Town,
Cixi City, Ningbo, Zhejiang Province, China

Pressure Gauges

Gas Test Gauge



Dimensions in mm					
Types		A	B	C	D
YG1/2-23	YG1/2-24	31.5	33	95	1/2"
YG3/4-23	YG3/4-24	38.5	38	100	3/4"
YG1-23	YG1-24	44	94.3	105	1"

Tel:0086-574-23688830
Fax:0086-574-23688830
Email:info@st-meter.com
Web:http://www.st-meter.com

Cixi Sito machinery Co.LTD.
West Section Gongye Road,Xinpu Town,
Cixi City,Ningbo,Zhejiang Province,China