

# Pressure Gauges

## Oxygen Pressure gauge



### YO SERIES OXYGEN PRESSURE GAUGE

YO50A-YO63A

#### Description

Oxygen pressure gauges mainly used for simple pressure measurement of oxygen and must keep away from oil.Red forbidden oil mark is on dial to avoid inappropriate using.

#### Specification

Nominal Size:

2.0"(50mm),2.5"(63mm)

Accuracy:  $\pm 1.0\%$ ,  $\pm 1.6\%$ ,  $\pm 2.5\%$

Pressure Range:0...400bar

Working Temperature:-20°C...60°C

Case: Golden steel case

Connection:Brass

Thread:1/8",1/4"3/8",1/2",PT,NPT,BSP and individual

Bourdon tube:Phosphor bronze,brass (acetylene pressure gauge),C-type or Helical type

Movement:Brass

Dial:Aluminium,White,black lettering

Pointer:Aluminium,black

Window:Snap on plastic or screw in PC

#### Options

Customize range, scale or logo; connection thread, pressure needle etc

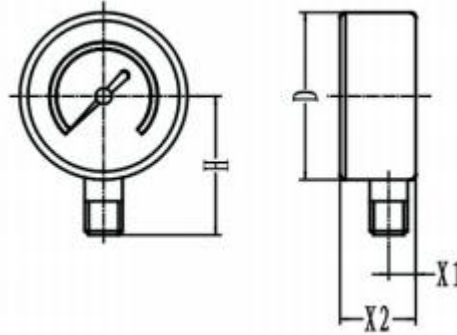


Tel:0086-574-23688830  
Fax:0086-574-23688830  
Email:info@st-meter.com  
Web:http://www.st-meter.com

Cixi Sito machinery Co.LTD.  
West Section Gongye Road,Xinpu Town,  
Cixi City,Ningbo,Zhejiang Province,China

# Pressure Gauges

## Oxygen Pressure Gauge



Bottom Connection

Dimensions in mm					
Types	Nom.size	D	X1	X2	H
YO50A	50	50	9.5	29	45.5
YO63A	63	61	9.5	29	53.5

Tel:0086-574-23688830  
Fax:0086-574-23688830  
Email:info@st-meter.com  
Web:http://www.st-meter.com

Cixi Sito machinery Co.LTD.  
West Section Gongye Road,Xinpu Town,  
Cixi City,Ningbo,Zhejiang Province,China