

Pressure Gauges

Acetylene Pressure gauge



YY SERIES ACETYLENE PRESSURE GAUGE

YY50A-YY63A

Description

Acetylene pressure gauge mainly used for simple pressure measurement acetylene and must keep away from oil.Red forbidden oil mark is on dial to avoid inappropriate using.

Specification

Nominal Size:

2.0"(50mm),2.5"(63mm)

Accuracy: $\pm 1.0\%$, $\pm 1.6\%$, $\pm 2.5\%$

Pressure Range:0...400bar

Working Temperature:-20°C...60°C

Case: Golden steel case

Connection:Brass

Thread:1/8",1/4"3/8",1/2",PT,NPT,BSP and individual

Bourdon tube:Phosphor bronze,brass (acetylene pressure gauge),C-type or Helical type

Movement:Brass

Dial:Aluminium,White,black lettering

Pointer:Aluminium,black

Window:Snap on plastic or screw in PC

Options

Customize range, scale or logo; connection thread, pressure needle etc

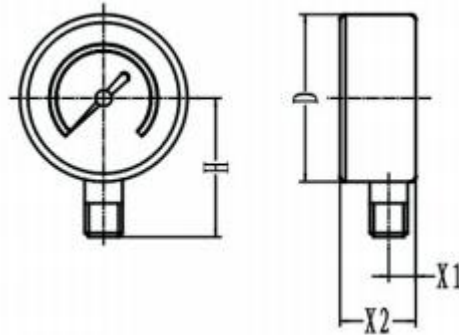


Tel:0086-574-23688830
Fax:0086-574-23688830
Email:info@st-meter.com
Web:http://www.st-meter.com

Cixi Sito machinery Co.LTD.
West Section Gongye Road,Xinpu Town,
Cixi City,Ningbo,Zhejiang Province,China

Pressure Gauges

Acetylene Pressure Gauge



Bottom Connection

Dimensions in mm					
Types	Nom.size	D	X1	X2	H
YY50A	50	50	9.5	29	45.5
YY63A	63	61	9.5	29	53.5

Tel:0086-574-23688830
Fax:0086-574-23688830
Email:info@st-meter.com
Web:http://www.st-meter.com

Cixi Sito machinery Co.LTD.
West Section Gongye Road,Xinpu Town,
Cixi City,Ningbo,Zhejiang Province,China