

# Pressure Gauges

## Capsule Pressure gauge



### YE SERIES CAPSULE PRESSURE GAUGE

YE63A

#### Description:

Capsule pressure gauges for low pressure and negative pressure that is suitable for non aggressive gas, will not attack copper alloy parts.

#### Application

- Boiled ventilating
- Gas pipeline
- Burning device

#### Specification

Nominal Size: 2.5" (63mm)

Accuracy:  $\pm 1.6\%$ ,  $\pm 2.5\%$

Pressure Range: 0...40mbar to 0...600mbar

Working Temperature:  $-25^{\circ}\text{C}$ ... $60^{\circ}\text{C}$

Case: Steel chromed case

Connection: Brass

Thread: 1/4" NPT, BSP and individual

Pressure element: copper alloy

Movement: Brass

Dial: Aluminium, White, black lettering

Pointer: Aluminium, black

Window: Plastic

#### Options

Customize range, scale or logo; connection thread, coloured sector etc

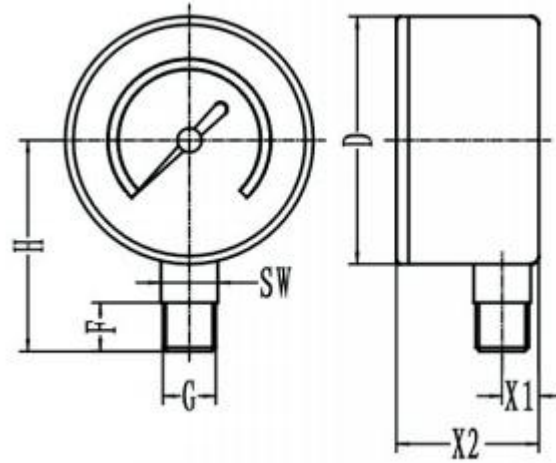


Tel: 0086-574-23688830  
Fax: 0086-574-23688830  
Email: [info@st-meter.com](mailto:info@st-meter.com)  
Web: <http://www.st-meter.com>

Cixi Sito machinery Co.LTD.  
West Section Gongye Road, Xinpu Town,  
Cixi City, Ningbo, Zhejiang Province, China

# Pressure Gauges

## Capsule Pressure Gauge



Bottom connection

| Dimensions in mm |          |    |     |    |    |    |      |
|------------------|----------|----|-----|----|----|----|------|
| Types            | Nom.size | D  | X1  | X2 | F  | SW | H    |
| YE63A            | 63       | 61 | 9.5 | 35 | 12 | 14 | 56.5 |

Tel:0086-574-23688830  
Fax:0086-574-23688830  
Email:info@st-meter.com  
Web:http://www.st-meter.com

Cixi Sito machinery Co.LTD.  
West Section Gongye Road,Xinpu Town,  
Cixi City,Ningbo,Zhejiang Province,China