

Pressure Gauges

Heavy Duty Pressure gauge



YH SERIES HEAVY DUTY PRESSURE GAUGE

YH80Z

Description:

Pressure gauges are produced in compliance with EN837-3 standard. Mainly used for simple pressure measurement of liquids, vapour and gases that do not have corrosive effect on copper alloys. Pressure gauges are designed into cisterns, tank trucks and fire fighting vehicles. They are to be placed onto pumps and suction devices. Equipped to be used in more demanding conditions. Resistant to shocks, machine vibrations and pulses. Their heavy duty design ensures high functionality, safety and long life-time.



Application

- General industrial
- Cisterns
- tank trucks
- fire fighting vehicles
- road cleaning vehicles
- suction vehicles

Specification

Nominal Size: 3.15" (80mm)

Accuracy: $\pm 1.0\%$, $\pm 1.6\%$, $\pm 2.5\%$

Pressure Range: -1...25bar

Working Temperature: -25°C...60°C

Case: Stainless steel

Ring: Brass chromed plated

Connection: brass chromed plated

Thread: M20x1,5 or 1/2" G, and individual

Pressure element: copper alloy

Movement: CuZn-alloy

Dial: Aluminium, White, black lettering

Pointer: Aluminium, black

Window: Plastic

Gaskets: Neoprene or Silica gel

Options

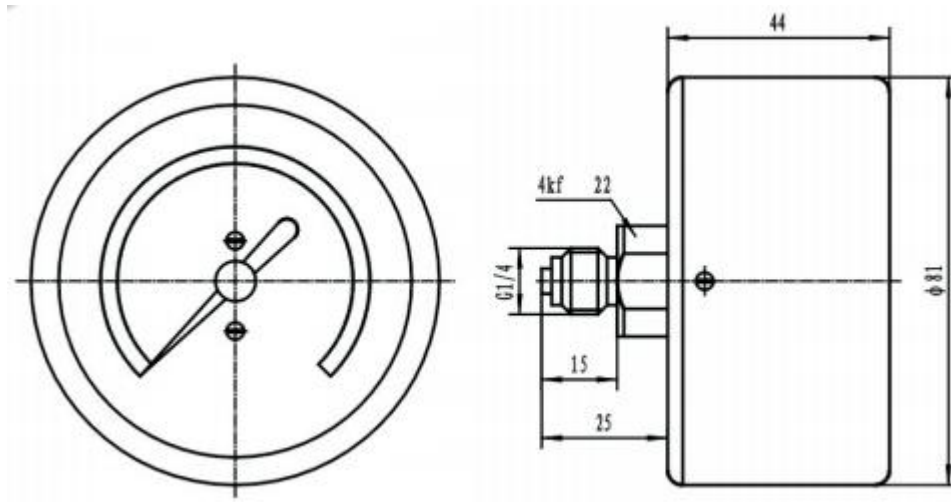
Customize range, scale or logo; connection thread, red line, stainless steel front flange etc

Tel: 0086-574-23688830
Fax: 0086-574-23688830
Email: info@st-meter.com
Web: <http://www.st-meter.com>

Cixi Sito machinery Co.LTD.
West Section Gongye Road, Xinpu Town,
Cixi City, Ningbo, Zhejiang Province, China

Pressure Gauges

Heavy Duty Pressure Gauge



Back Connection

Tel:0086-574-23688830
Fax:0086-574-23688830
Email:info@st-meter.com
Web:http://www.st-meter.com

Cixi Sito machinery Co.LTD.
West Section Gongye Road,Xinpu Town,
Cixi City,Ningbo,Zhejiang Province,China