

Pressure Gauges

Economical Dry Gauge



Y SERIES BLACK STEEL CASE PRESSURE GAUGE

Y40R-Y50R-Y63R-Y80R-Y100R-Y150R-Y200R-Y250R

Description:

Standard pressure gauges mainly used for simple pressure measurement of liquids, vapour and gases, which are not crystallising, concretionary and no danger of explosion and that will not attack copper alloy parts



Application

- Pneumatics
- Air compressor
- Pump
- Pressure regulator
- Heating industry
- Air-conditioning
- Health and food industry

Specification

Nominal Size:

1.5"(40mm), 2.0"(50mm), 2.5"(63mm), 3.5"(88mm), 4.0"(100mm), 4.5"(113mm), 6.0"(150mm), 10.24"(250mm)

Accuracy: $\pm 1.0\%$, $\pm 1.6\%$, $\pm 2.5\%$

Pressure Range: -1...0bar to 0...400bar

Working Temperature: -20°C...60°C

Case: Black steel

Ring: Black steel

Connection: Brass

Thread: 1/8", 1/4", 3/8", 1/2", PT, NPT, BSP and individual

Bourdon tube: Phosphor bronze, C-type or Helical type

Movement: Brass or Steel

Dial: Aluminium, White, black lettering

Pointer: Aluminium, black

Window: Glass or plastic

Tel: 0086-574-23688830
Fax: 0086-574-23688830
Email: info@st-meter.com
Web: <http://www.st-meter.com>

Cixi Sito machinery Co.LTD.
West Section Gongye Road, Xinpu Town,
Cixi City, Ningbo, Zhejiang Province, China

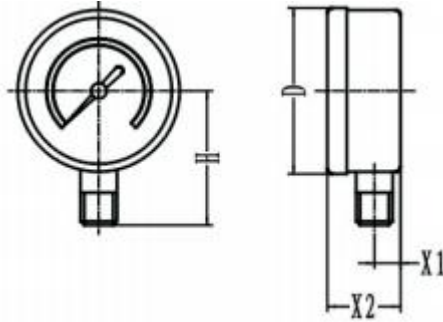
Pressure Gauges

Economical Dry Gauge



Options

Customize range, scale or logo; Coloured sector, connection thread, pressure needle Rubber cover etc.



Bottom connection

Dimensions in mm					
Types	Nom.size	D	X1	X2	H
Y40R	40	42	9	25	38
Y50R	50	53	9	27	45
Y63R	63	64	9	32	54
Y80R	80	81	10.5	33	66.5
Y100R	100	100	15	37.5	76
Y150R	150	150	17.5	50	112
Y200R	200	200	18	48	138
Y250R	250	250	17.5	51	165

Tel:0086-574-23688830
Fax:0086-574-23688830
Email:info@st-meter.com
Web:http://www.st-meter.com

Cixi Sito machinery Co.LTD.
West Section Gongye Road,Xinpu Town,
Cixi City,Ningbo,Zhejiang Province,China