

Pressure Gauges

Economical Dry Gauge



Y SERIES BLACK STEEL CASE PRESSURE GAUGE WITH FLANGE Y50T-Y63T-Y100T-Y125T-Y150T

Description:

Standard pressure gauges mainly used for simple pressure measurement of liquids, vapour and gases, which are not crystallising, concretionary and no danger of explosion and that will not attack copper alloy parts



Application

- Pneumatics
- Air compressor
- Pump
- Pressure regulator
- Heating industry
- Air-conditioning
- Health and food industry

Specification

Nominal Size:

1.5"(40mm), 2.0"(50mm), 2.5"(63mm), 3.5"(88mm), 4.0"(100mm), 6.0"(150mm)

Accuracy: $\pm 1.0\%$, $\pm 1.6\%$, $\pm 2.5\%$

Pressure Range: -1...0bar to 0...400bar

Working Temperature: -20°C...60°C

Case: Black steel

Ring: Black steel

Connection: Brass

Thread: 1/8", 1/4", 3/8", 1/2", PT, NPT, BSP and individual

Bourdon tube: Phosphor bronze, C-type or Helical type

Movement: Brass or Steel

Dial: Aluminium, White, black lettering

Pointer: Aluminium, black

Window: Glass or plastic

Flange: black steel

Tel: 0086-574-23688830
Fax: 0086-574-23688830
Email: info@st-meter.com
Web: <http://www.st-meter.com>

Cixi Sito machinery Co.LTD.
West Section Gongye Road, Xinpu Town,
Cixi City, Ningbo, Zhejiang Province, China

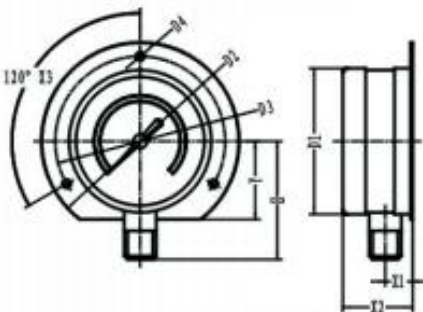
Pressure Gauges

Economical Dry Gauge



Options

Customize range, scale or logo; Coloured sector, connection thread, pressure needle etc.



Bottom connection

Dimensions in mm									
Types	Nom.size	D1	D2	D3	D4	X1	X2	Y	H
Y50T	50	52	74	63.5	4	10	29	37	46
Y63T	63	63	85.5	73.6	3.7	11.5	30	34.5	51.5
Y100T	80	99	128	117	4.6	14	39	54	77
Y125T	125	125	155	139	5	4.85	39	63	89
Y150T	150	150	177	165	5	14.3	40.3	78.5	107

Tel:0086-574-23688830
Fax:0086-574-23688830
Email:info@st-meter.com
Web:http://www.st-meter.com

Cixi Sito machinery Co.LTD.
West Section Gongye Road,Xinpu Town,
Cixi City,Ningbo,Zhejiang Province,China