

# Pressure Gauges

## Economical Dry Gauge



### Y SERIES BLACK STEEL CASE PRESSURE GAUGE WITH FLANGE Y40ZQ-Y50ZQ-Y63ZQ-Y75ZQ-Y100ZQ

#### Description:

Standard pressure gauges mainly used for simple pressure measurement of liquids, vapour and gases, which are not crystallising, concretionary and no danger of explosion and that will not attack copper alloy parts



#### Application

- Pneumatics
- Air compressor
- Pump
- Pressure regulator
- Heating industry
- Air-conditioning
- Health and food industry

#### Specification

Nominal Size:

1.5"(40mm), 2.0"(50mm), 2.5"(63mm), 3.5"(88mm), 4.0"(100mm), 6.0"(150mm)

Accuracy:  $\pm 1.0\%$ ,  $\pm 1.6\%$ ,  $\pm 2.5\%$

Pressure Range: -1...0bar to 0...400bar

Working Temperature: -20°C...60°C

Case: Black steel

Ring: Black steel

Connection: Brass

Thread: 1/8", 1/4", 3/8", 1/2", PT, NPT, BSP and individual

Bourdon tube: Phosphor bronze, C-type or Helical type

Movement: Brass or Steel

Dial: Aluminium, White, black lettering

Pointer: Aluminium, black

Window: Glass or plastic

Flange: black steel

Tel: 0086-574-23688830  
Fax: 0086-574-23688830  
Email: [info@st-meter.com](mailto:info@st-meter.com)  
Web: <http://www.st-meter.com>

Cixi Sito machinery Co.LTD.  
West Section Gongye Road, Xinpu Town,  
Cixi City, Ningbo, Zhejiang Province, China

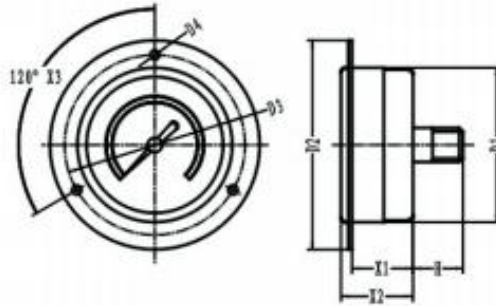
# Pressure Gauges

## Economical Dry Gauge



### Options

Customize range, scale or logo; Coloured sector, connection thread, pressure needle etc.



Back connection

Types	Nom.size	Dimensions in mm						
		D1	D2	D3	D4	X1	X2	H
Y40ZQ	40	41	60.5	53.5	3.6	22.5	25	14
Y50ZQ	50	51	74	60.5	3.8	24	29	20.5
Y63Z	63	63.5	84	74	3.8	25	29	18.5
Y75ZQ	80	81	106	93	5.2	24	31	24.5
Y100ZQ	100	103	128	114	5.2	28	34	34

Tel:0086-574-23688830  
Fax:0086-574-23688830  
Email:info@st-meter.com  
Web:http://www.st-meter.com

Cixi Sito machinery Co.LTD.  
West Section Gongye Road,Xinpu Town,  
Cixi City,Ningbo,Zhejiang Province,China