

# Pressure Gauges

## Economical Dry Gauge



### Y SERIES STANDARD ECONOMY PRESSURE PRESSURE

Y25-1

#### Description:

Standard pressure gauges mainly used for simple pressure measurement of liquids, vapour and gases, which are not crystallising, concretionary and no danger of explosion and that will not attack copper alloy parts



#### Application

- Pneumatics
- Heating industry
- Air-conditioning
- Water supply

#### Specification

Nominal Size: 25mm

Accuracy: 4%

Pressure Range: 0...400bar

Scale: bar, psi, pa and individual

Working Temperature: -20°C...60°C

Case: Plastic

Connection: Brass

Thread: M10\*1.5, 1/8"G, NPT, BSP and individual

Pressure element: Phosphor bronze

Movement: Brass

Dial: Aluminium, White, black lettering

Pointer: Aluminium, black

Window: Plastic

#### Options

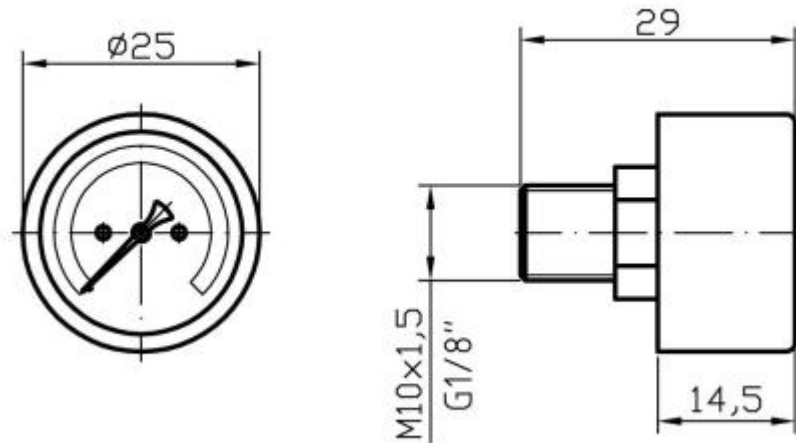
Customize range, scale or logo; Coloured sector, connection thread, pressure needle etc

Tel: 0086-574-23688830  
Fax: 0086-574-23688830  
Email: [info@st-meter.com](mailto:info@st-meter.com)  
Web: <http://www.st-meter.com>

Cixi Sito machinery Co.LTD.  
West Section Gongye Road, Xinpu Town,  
Cixi City, Ningbo, Zhejiang Province, China

# Pressure Gauges

Economical Dry Gauge



Bottom connection

Tel:0086-574-23688830  
Fax:0086-574-23688830  
Email:info@st-meter.com  
Web:http://www.st-meter.com

Cixi Sito machinery Co.LTD.  
West Section Gongye Road,Xinpu Town,  
Cixi City,Ningbo,Zhejiang Province,China