

Pressure Gauges

Stainless Steel Pressure gauge



YB SERIES STAINLESS STEEL PRESSURE GAUGE

YB40ZB-YB50ZB-YB63ZB-YB100ZB

Description:

All stainless steel pressure gauges are suitable for measurements of all non-viscous and non-aggressive liquids, vapour and gases that do not have corrosive/desctructive effect on stainless steel material.Application



Application

- Chemical/petro-chemical
- power stations
- mining
- environmental technology
- machine building
- general plant construction

Specification

Nominal Size:

1.5"(40mm),2.0"(50mm),2.5"(63mm),3.5"(88mm),4.0"(100mm),6.0"(150mm)

Accuracy:±1.0%,±1.6%,±2.5%

Pressure Range:-1...0bar to 0...1000bar

Working Temperature:-20℃...70℃

Case: Stainless steel,with pressure vent

Ring:Stainless steel,Bayonet type

Connection:Stainless steel

Thread:1/8",1/4"3/8",1/2",PT,NPT,BSP and individual

Bourdon tube:Stainless steel ,C-type or Helical type

Movement:Stainless steel

Dial:Aluminium,White,black lettering

Pointer:Aluminium,black

Window: glass

Gaskets/Filling cap:Neoprene or Silica gel

Options

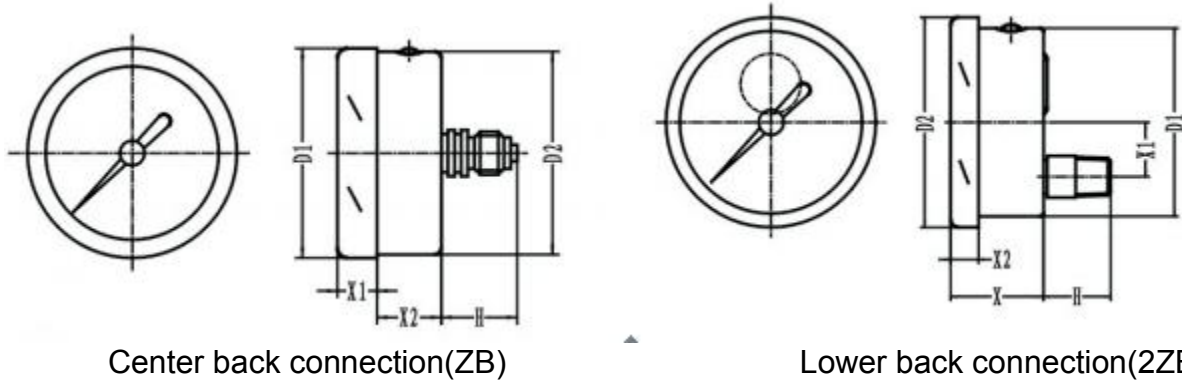
Customize range, scale or logo; Coloured sector, connection thread, pressure needle,back/front flange, with Glycerine or silicone etc

Tel:0086-574-23688830
Fax:0086-574-23688830
Email:info@st-meter.com
Web:http://www.st-meter.com

Cixi Sito machinery Co.LTD.
West Section Gongye Road,Xinpu Town,
Cixi City,Ningbo,Zhejiang Province,China

Pressure Gauges

Stainless Steel Pressure Gauge



Center back connection(ZB)

Lower back connection(2ZB)

Dimensions in mm							
Types	Nom.size	D1	D2	X	X1	X2	H
YB63ZB	63	64	62	-	12	19.5	24
YB100Z2B	100	100	111	50.5	29	14.5	36
YB160Z2B	160	158.5	160	49.5	50	17	37

Tel:0086-574-23688830
Fax:0086-574-23688830
Email:info@st-meter.com
Web:http://www.st-meter.com

Cixi Sito machinery Co.LTD.
West Section Gongye Road,Xinpu Town,
Cixi City,Ningbo,Zhejiang Province,China