

Pressure Gauges

Shock Resistant Pressure gauge



YN SERIES SHOCK RESISTANT PRESSURE GAUGE WITH FLANGE

YN40ZQ-YN50ZQ-YN63ZQ-YN80ZQ-YN100ZQ

Description:

Shock resistant pressure gauges mainly used for pressure measurement of liquids and gases, that are not highly viscous or crystallising and will not attack copper alloy parts. Shock resistant pressure gauges with water-tight case are designed into harsh conditions, where the pressure gauge is exposed to vibration, humidity and other complicating conditions. Resists vibration, shocks and pressure surges for which purpose they are equipped with pressure shock absorbers.



Application

- Hydraulics
- Heating industry
- Air-conditioning
- Medical engineering
- Petrochemical industry

Specification

Nominal Size:

1.5"(40mm), 2.0"(50mm), 2.5"(63mm), 3.5"(88mm), 4.0"(100mm), 6.0"(150mm)

Accuracy: $\pm 1.0\%$, $\pm 1.6\%$, $\pm 2.5\%$

Pressure Range: -1...0bar to 0...1000bar

Working Temperature: -20°C...70°C

Case: Stainless steel

Ring: Stainless steel, Crimped type

Connection: Brass or Stainless steel

Thread: 1/8", 1/4", 3/8", 1/2", PT, NPT, BSP and individual

Bourdon tube: Phosphor bronze or Stainless steel, C-type or Helical type

Movement: Brass or Stainless steel

Dial: Aluminium, White, black lettering

Pointer: Aluminium, black

Window: Plastic or glass

Filled: Glycerine (standard), Silicone (optional)

Gaskets/Filling cap: Neoprene or Silica gel

Flange: Stainless steel

Tel: 0086-574-23688830
Fax: 0086-574-23688830
Email: info@st-meter.com
Web: <http://www.st-meter.com>

Cixi Sito machinery Co.LTD.
West Section Gongye Road, Xinpu Town,
Cixi City, Ningbo, Zhejiang Province, China

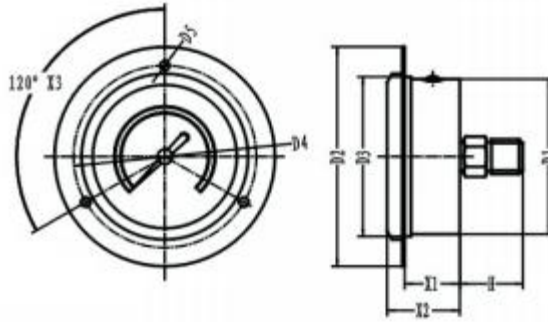
Pressure Gauges

Shock Resistant Pressure Gauge



Options

Customize range, scale or logo; Coloured sector, connection thread, pressure needle etc



Back connection

Dimensions in mm									
Types	Nom.size	D1	D2	D3	D4	D5	X1	X2	H
YN40ZQ	40	41	62	45	53	3.5	20	25	18
YN50ZQ	50	52	73	57.5	63	4	23	29	26
YN63ZQ	63	69	87	64	78	5	24	32	29
YN80ZQ	80	75	105	78	94	6	29	38	31
YN100ZQ	100	99	131	101	114	6	29	39	31

Tel:0086-574-23688830
Fax:0086-574-23688830
Email:info@st-meter.com
Web:http://www.st-meter.com

Cixi Sito machinery Co.LTD.
West Section Gongye Road,Xinpu Town,
Cixi City,Ningbo,Zhejiang Province,China